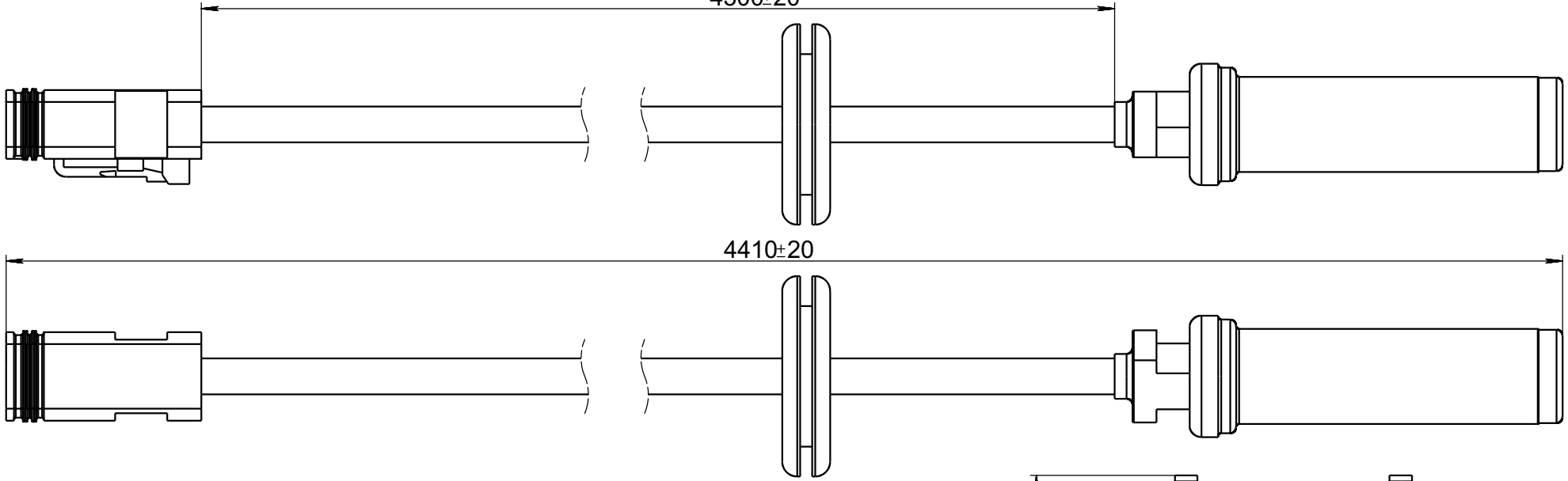


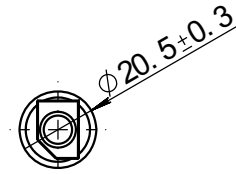
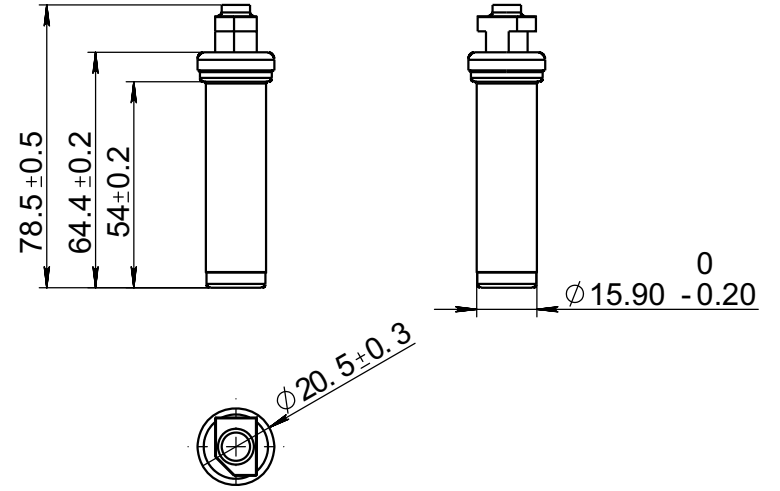
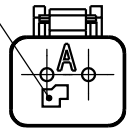
10247161

4300±20

4410±20



notch



10247161

Rev.	Sheet	Doc. No.	Sign.	Date	Letter	Weight	Scale
							1:1
Dvlpd by					ABS sensor		
Chkd by							
Tech. Ctrl							
Reg. Ctrl					PA66 reinforced nylon (black) + GF30		
Aprvd by							
					Sheet	Sheets 1	