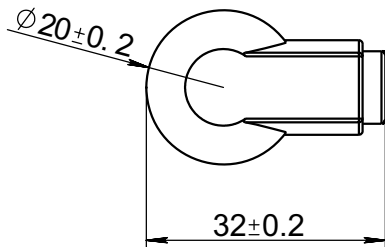
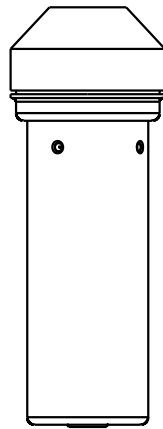
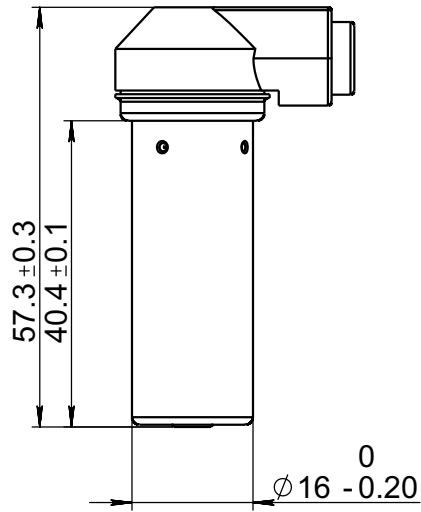
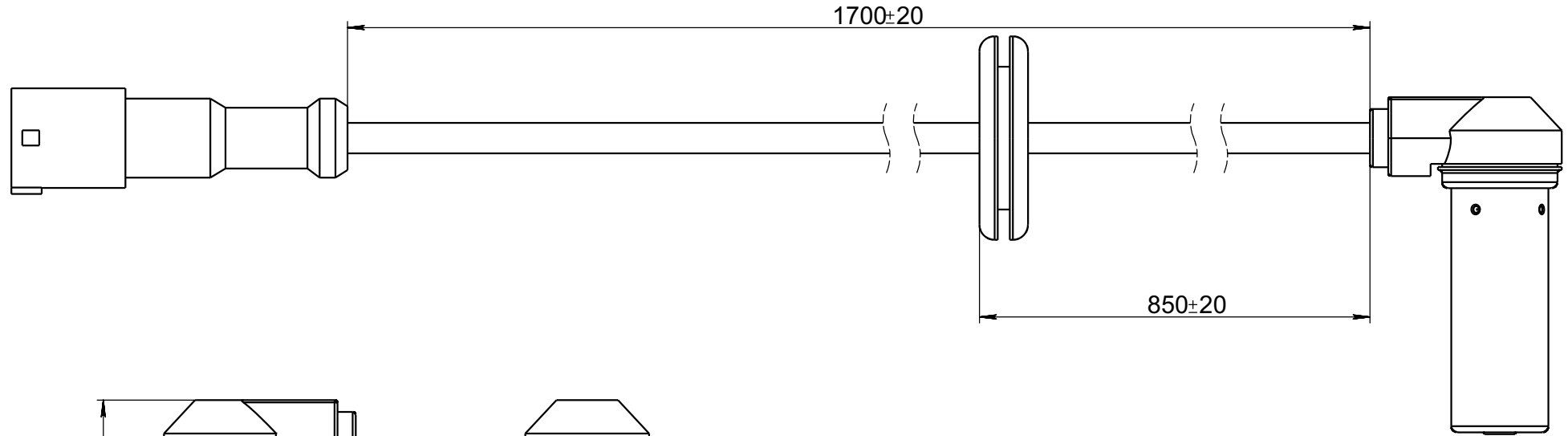



10321080



| | | | | | | | |
|---|-------|----------|-------|------|--------------------------------------|--------|-------|
|  | | | | | <h1>10321080</h1> | | |
| | | | | | | | |
| Rev. | Sheet | Doc. No. | Sign. | Date | Letter | Weight | Scale |
| | | | | | | | 1:1 |
| Dvlpd by | | | | | Sheet | | |
| Chkd by | | | | | Sheets 1 | | |
| Tech. Ctrl | | | | | | | |
| Reg. Ctrl | | | | | PA66 reinforced nylon (black) + GF30 | | |
| Aprvd by | | | | | | | |