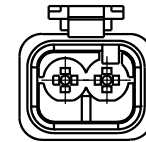
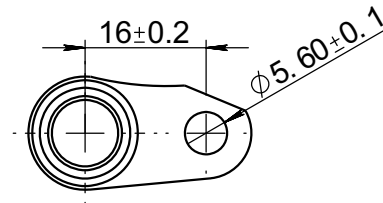
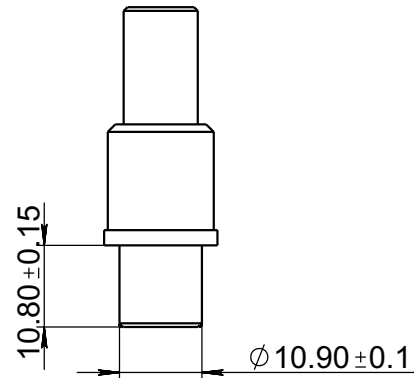
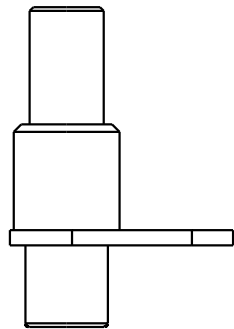
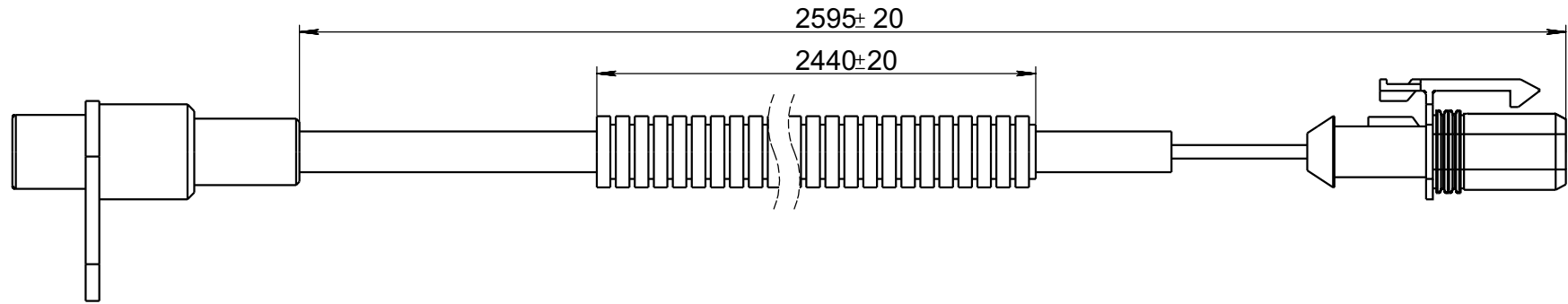


10322900



10322900

Rev.	Sheet	Doc. No.	Sign.	Date

ABS sensor

PA66 reinforced nylon
(black) + GF30

Letter	Weight	Scale
		1:1
Sheet	Sheets 1	