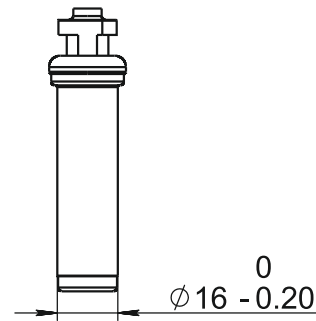
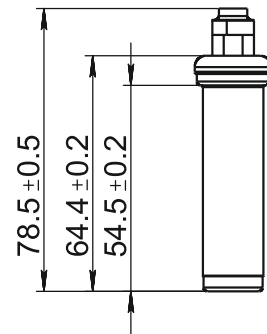
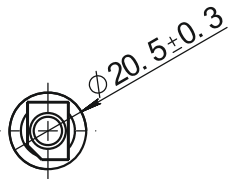
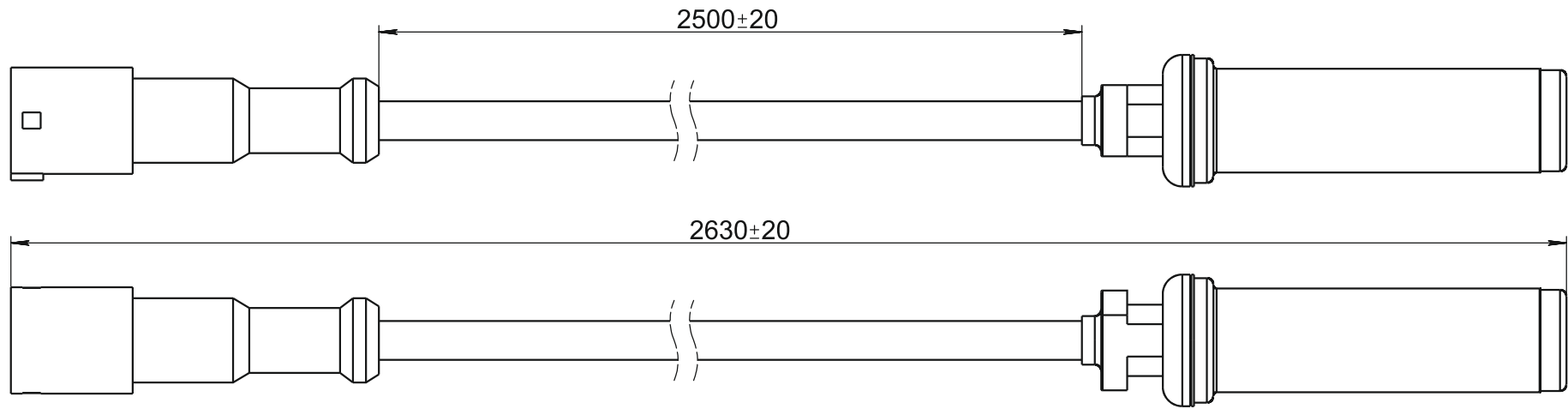



10329200



					<h1>10329200</h1>		
Rev.	Sheet	Doc. No.	Sign.	Date	Letter	Weight	Scale
							1:1
Dvlpd by					<p>PA66 reinforced nylon (black) + GF30</p>		
Chkd by							
Tech. Ctrl					Sheet	Sheets 1	
Reg. Ctrl							
Aprvd by							