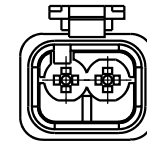
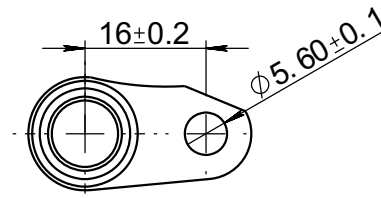
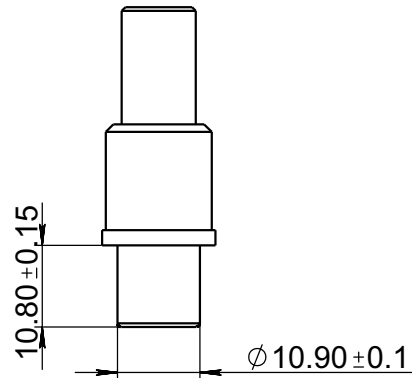
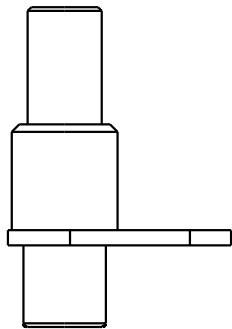
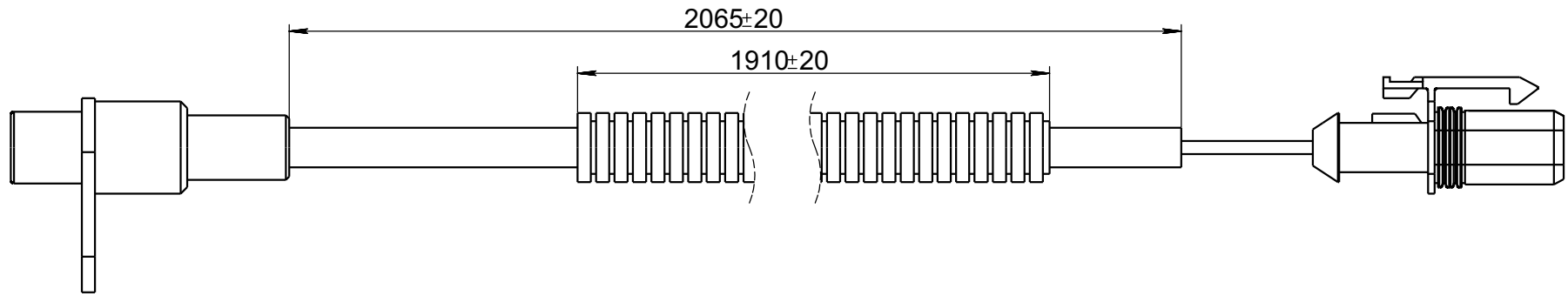



10322890



					<h1 style="text-align: center;">10322890</h1>			
								<h2 style="text-align: center;">EBS sensor</h2>
Rev.	Sheet	Doc. No.	Sign.	Date	Letter	Weight	Scale	
								1:1
<p>PA66 reinforced nylon (black) + GF30</p>						Sheet	Sheets 1	