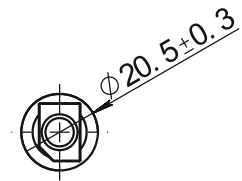
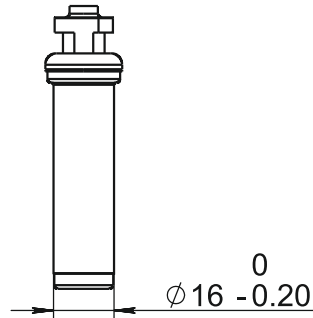
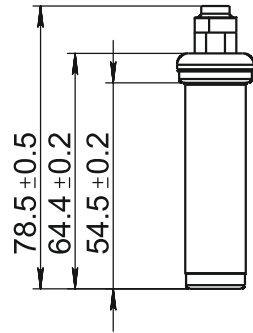
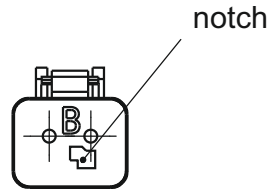
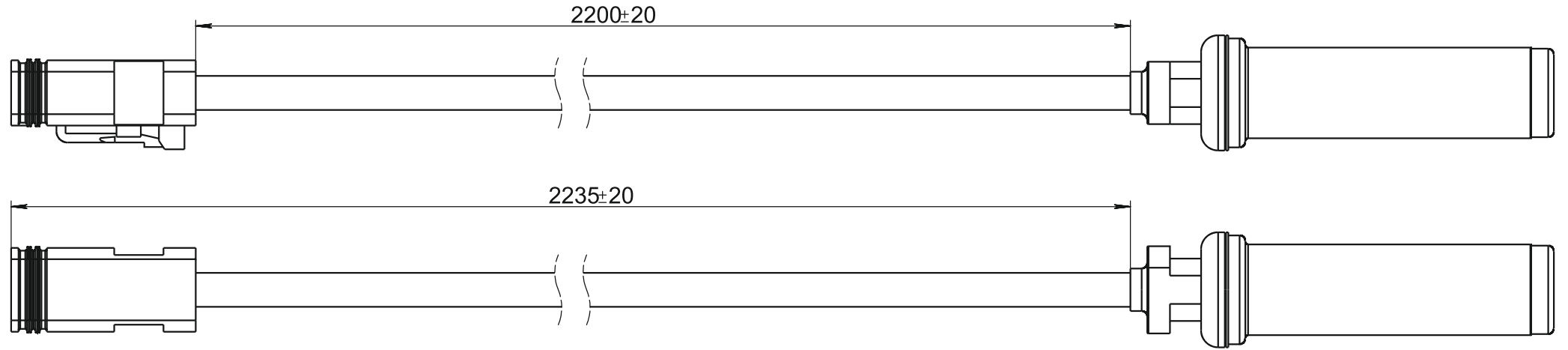



10323510



					<b>10323510</b>		
Rev.	Sheet	Doc. No.	Sign.	Date	Letter	Weight	Scale
							1:1
Dvlpd by					Sheet      Sheets 1		
Chkd by							
Tech. Ctrl					PA66 reinforced nylon (black) + GF30		
Reg. Ctrl							
Aprvd by							