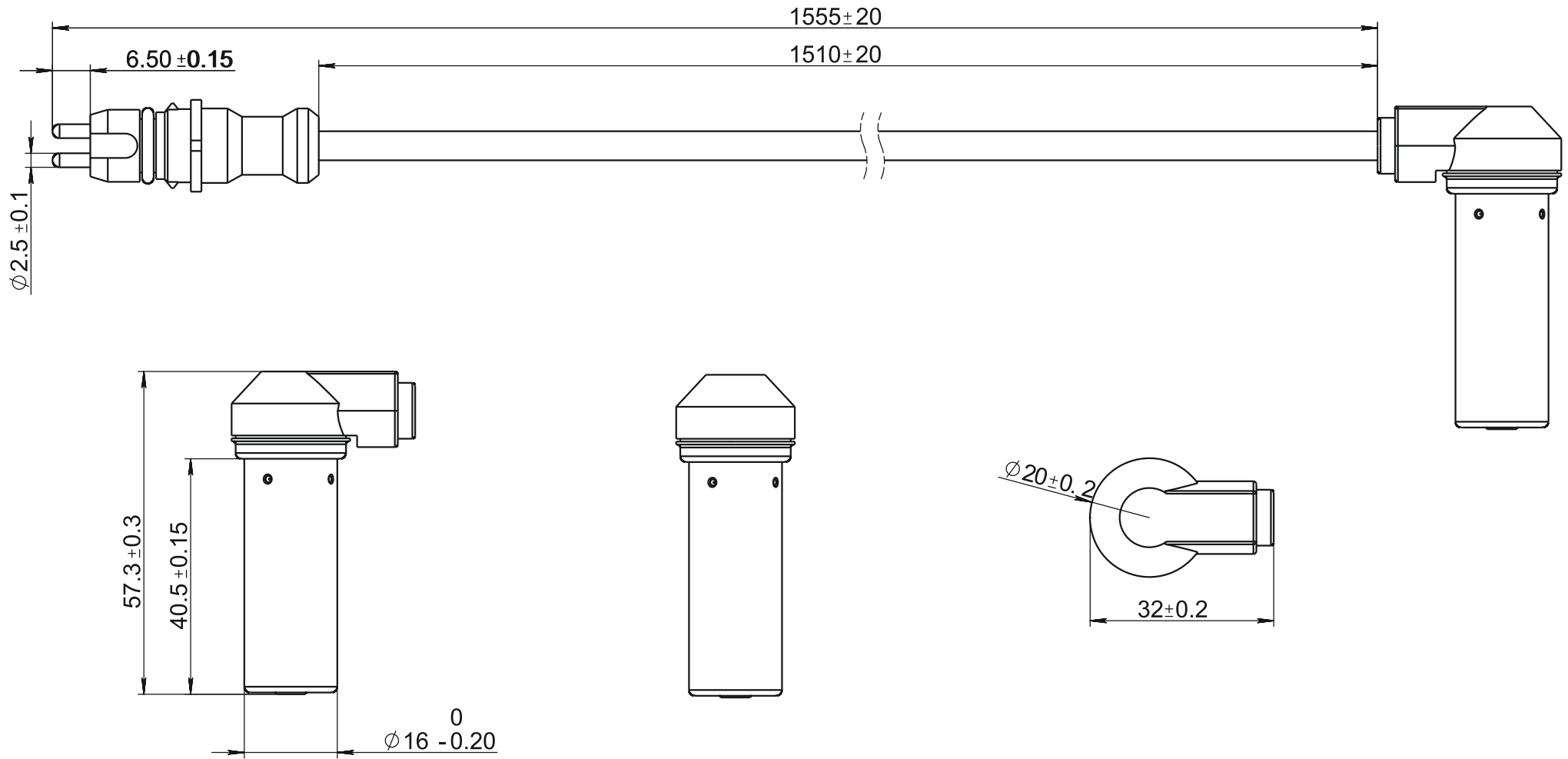



10328560



					<h1>10328560</h1>			
Rev.	Sheet	Doc. No.	Sign.	Date	<h2>ABS sensor</h2>	Letter	Weight	Scale
Dvlpd by								1:1
Chkd by								
Tech. Ctrl						Sheet	Sheets	1
Reg. Ctrl					PA66 reinforced nylon (black) + GF30			
Aprvd by								