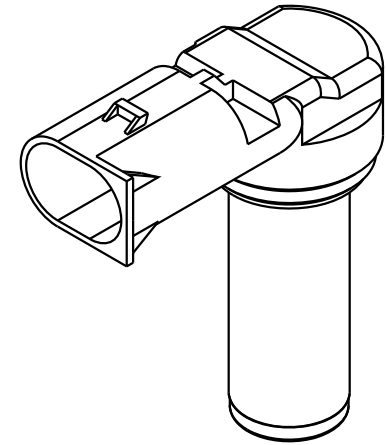
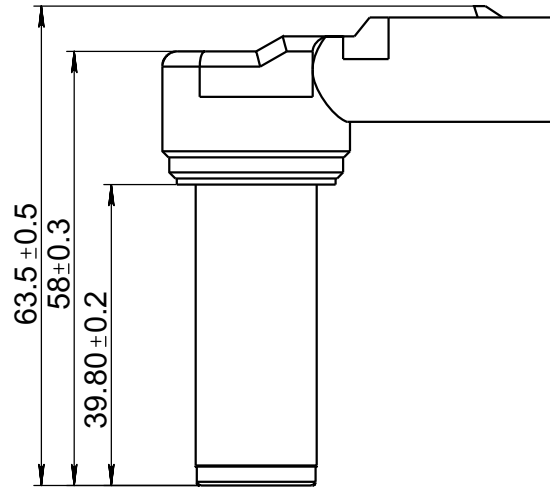
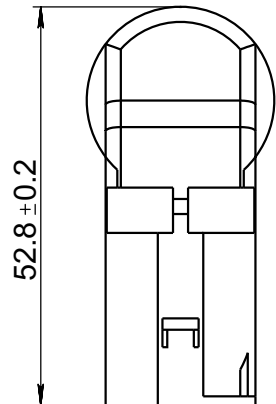
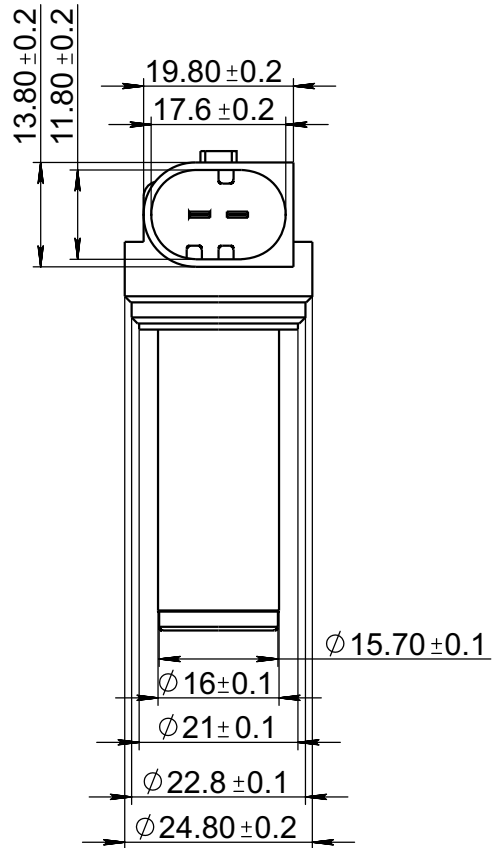



11132120



					<h1>11132120</h1>		
Rev. Sheet	Doc. No.	Sign.	Date	Letter	Weight	Scale	
Dvlpd by						1:1	
Chkd by							
Tech. Ctrl				Sheet	Sheets 1		
Reg. Ctrl				PA66 reinforced nylon (black) + GF30			
Aprvd by							