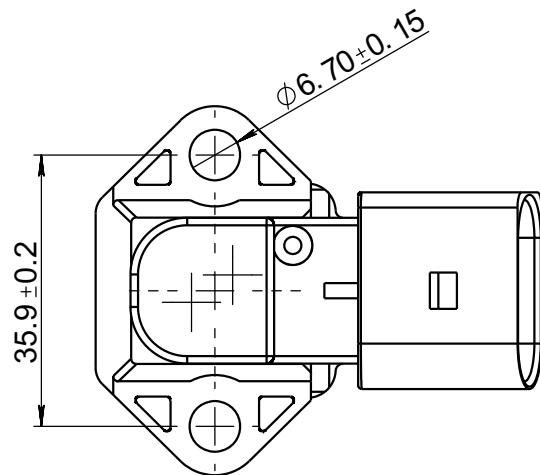
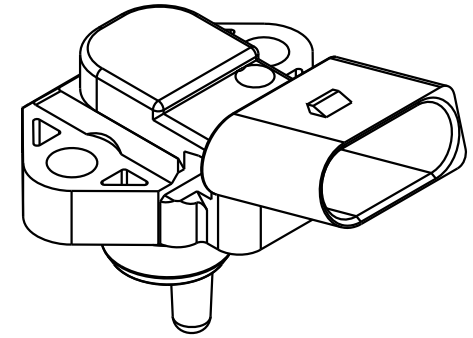
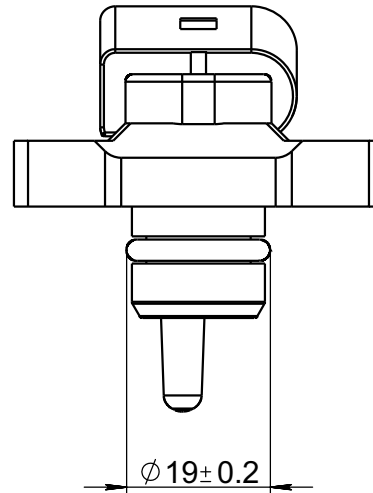
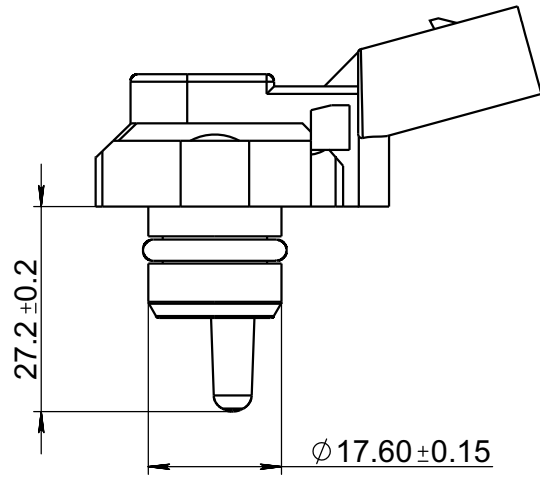



12532028



|                                                                                       |       |          |       |      |                                         |        |       |
|---------------------------------------------------------------------------------------|-------|----------|-------|------|-----------------------------------------|--------|-------|
|  |       |          |       |      | <h1>12532028</h1>                       |        |       |
|                                                                                       |       |          |       |      |                                         |        |       |
| Rev.                                                                                  | Sheet | Doc. No. | Sign. | Date | Letter                                  | Weight | Scale |
|                                                                                       |       |          |       |      |                                         |        | 1:1   |
| Dvlpd by                                                                              |       |          |       |      | Sheet                                   |        |       |
| Chkd by                                                                               |       |          |       |      | Sheets 1                                |        |       |
| Tech. Ctrl                                                                            |       |          |       |      |                                         |        |       |
| Reg. Ctrl                                                                             |       |          |       |      | PA66 reinforced nylon<br>(black) + GF30 |        |       |
| Aprvd by                                                                              |       |          |       |      |                                         |        |       |